

EAGLE CLAW[®] SHAPPELL[®]

BAY RUNNER

BR1000 Shelter Assembly Instructions

Flammability and Carbon Monoxide Warning and Maintenance

WARNING: KEEP ALL FLAME AND HEAT SOURCES AWAY FROM THIS TENT FABRIC. This tent meets the flammability requirements of CPAI-84. The fabric may burn if left in continuous contact with any flame source. The application of any foreign substance to the tent fabric may render the flame resistant properties ineffective.

CARBON MONOXIDE POISONING HAZARD:

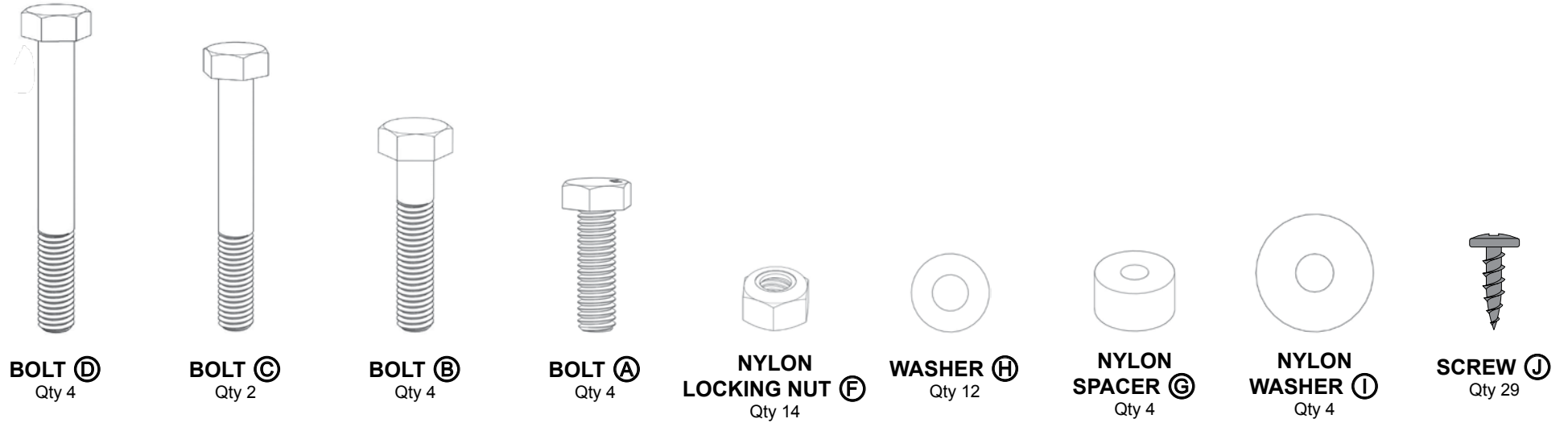
This shelter is extremely air tight and must be ventilated if using an oxygen consuming heat source. Side windows or auto-vents, depending on the shelter model, provide ventilation. **DO NOT PACK SNOW AROUND SHELTER** or in any way prevent fresh air from entering shelter. Failure to properly ventilate shelter could create a serious health hazard or death due to carbon monoxide poisoning.

MAINTENANCE: After each use, set up shelter until fabric is completely dry. Never leave shelter folded with a wet cover.

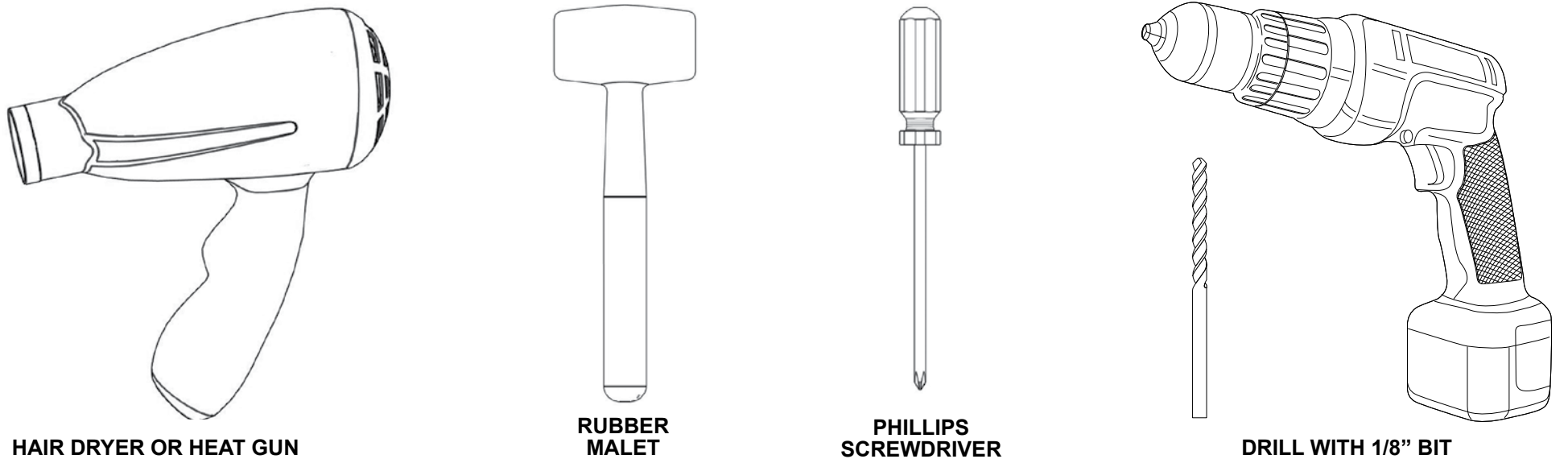
LOT #: _____

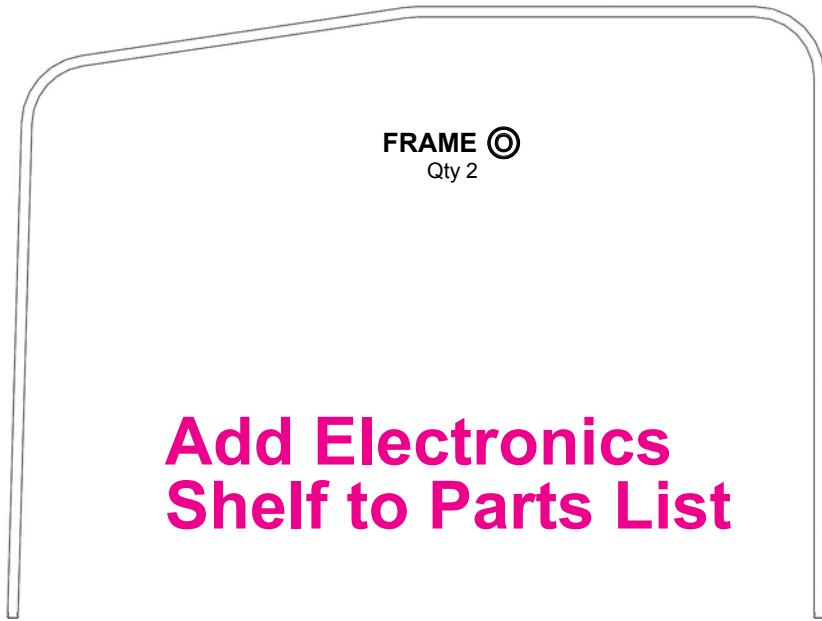


Parts (shown full size on this page)



Required Tools (not included)





Add Electronics Shelf to Parts List



L BRACKET ⓔ
Qty 4



TRIM Ⓛ
Qty 1



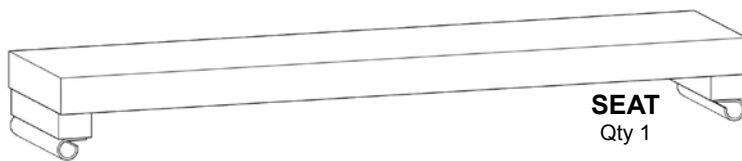
COVER
Qty 1



SLED ROPE Ⓚ
Qty 1



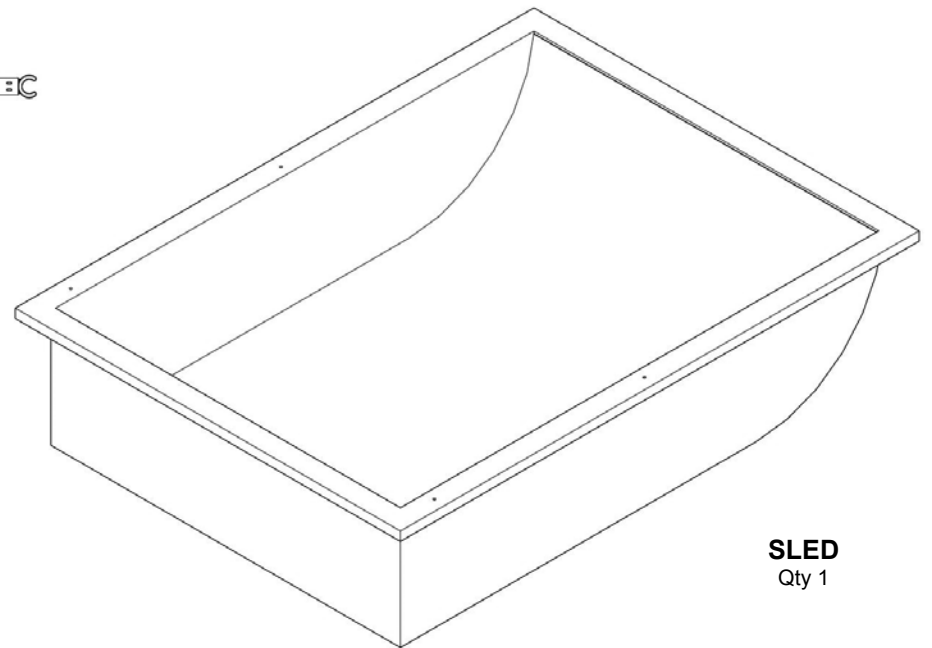
REAR BRACE TUBE Ⓝ
Qty 1



SEAT
Qty 1



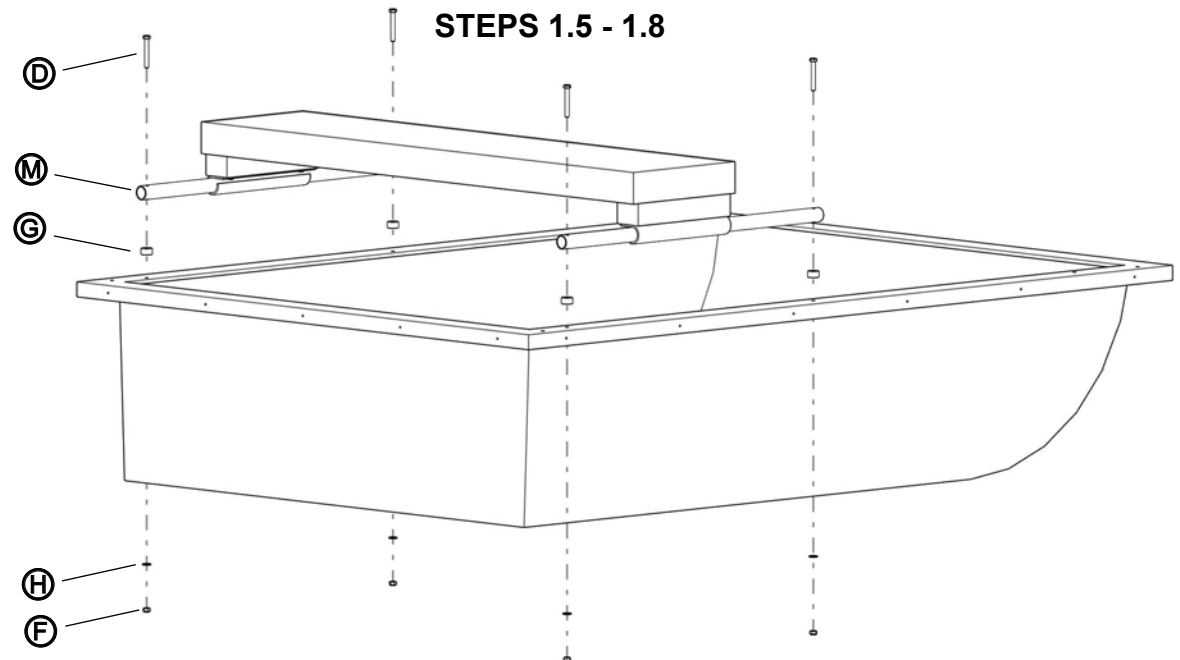
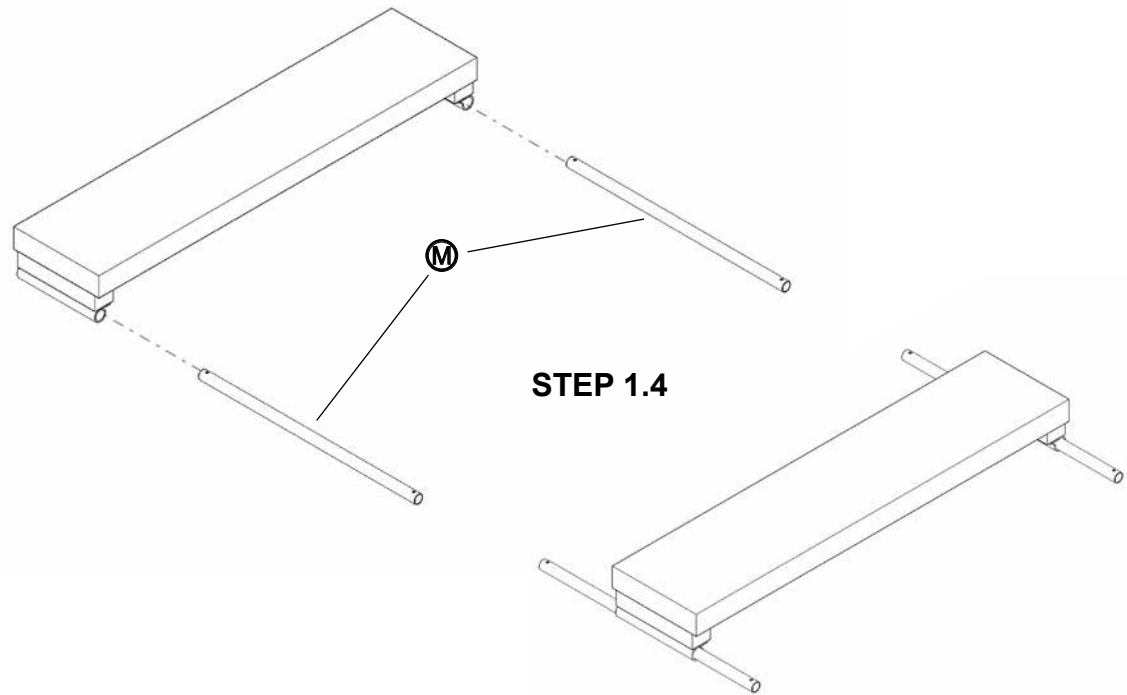
SEAT FRAME TUBE Ⓜ
Qty 2



SLED
Qty 1

1.0 Gathering All Parts and Beginning Assembly

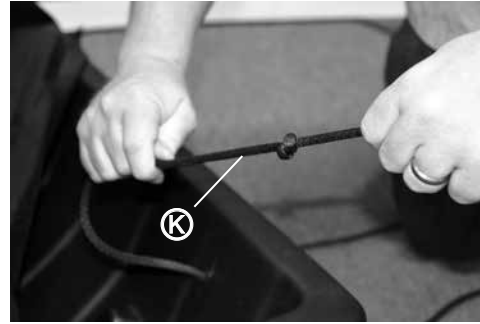
- 1.1 Begin by removing items from the box.
- 1.2 Separate sled, seat, parts bag, framing and cover.
- 1.3 Remove all parts from the parts bag and organize by letter (as shown on page 2).
- 1.4 Insert Seat Frame tubes (M) through seat brackets.
- 1.5 Align the holes in tubes (M) with the holes on the sled.
- 1.6 Starting on one side, insert bolt (D) through the Seat Frame tube (M), then through spacer (G), through the hole in the sled and through washer (H).
- 1.7 Secure the bolt with nut (F). Hand tighten only!
- 1.8 Repeat on opposite side.
- 1.9 Once all nuts and bolts are installed by hand, finish by tightening with wrenches. Tighten until snug. Do not over-tighten as you may strip the bolts!



2.0 Rope Installation

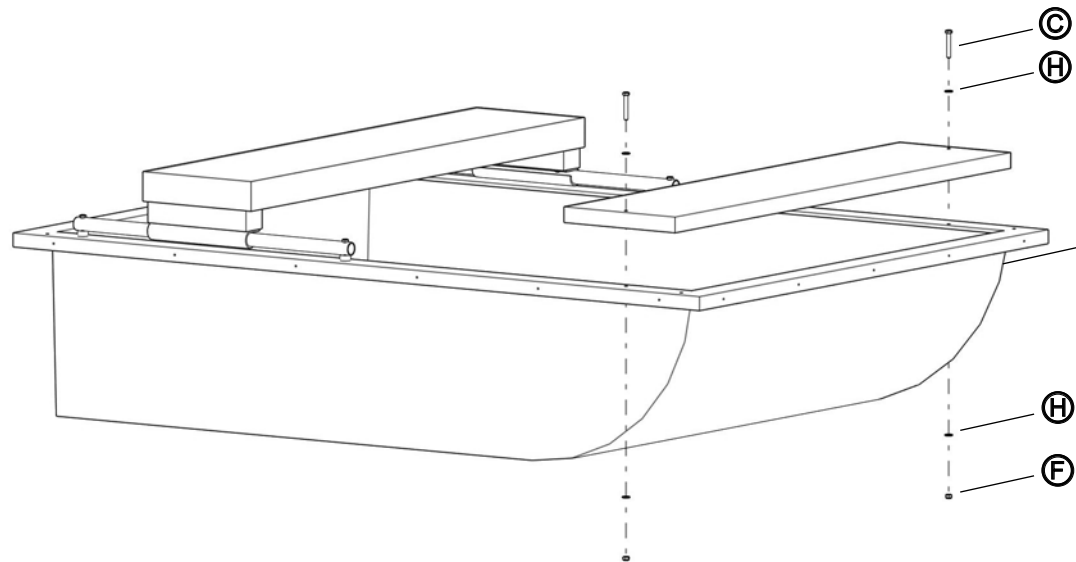
- 2.1 Install sled rope **(K)** through holes at front of sled.
Tie a knot in each end of the rope to secure to sled.

2.1



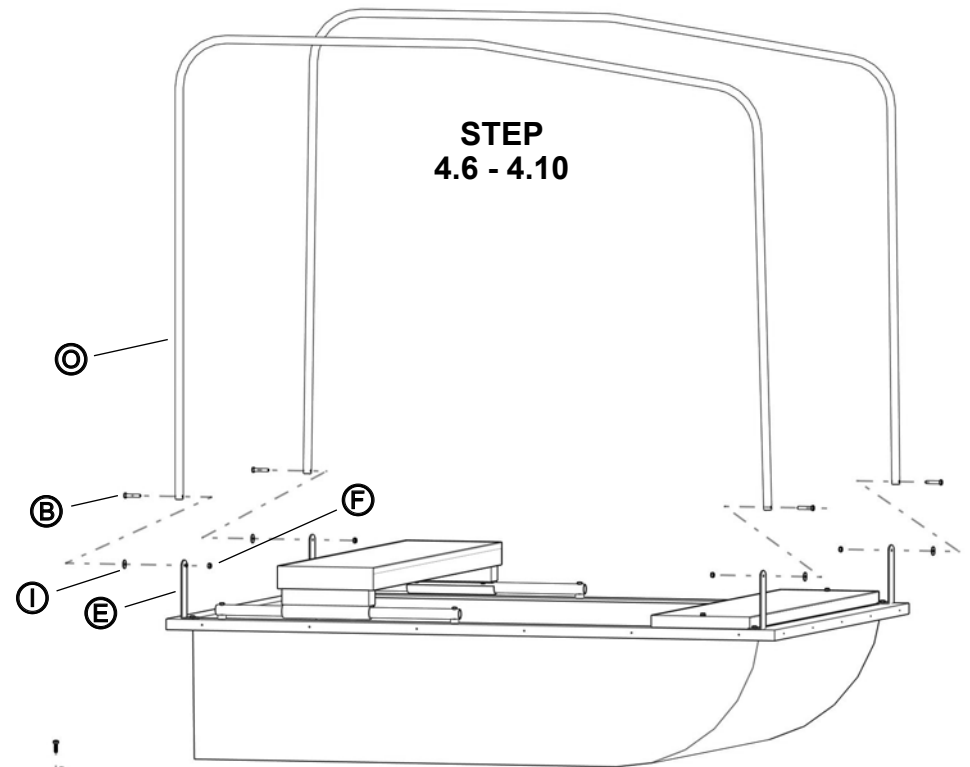
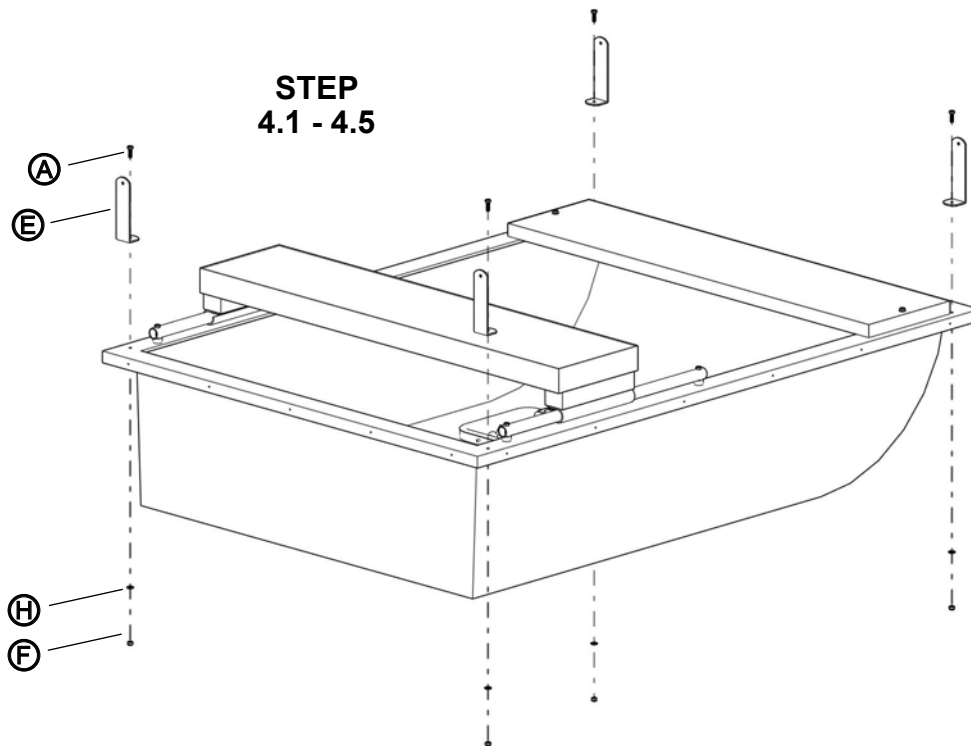
3.0 Electronics Shelf Assembly

- 3.1 Place electronic shelf on the sled.
- 3.2 Insert bolt **(C)** through washer **(H)** and into electronic shelf.
- 3.3 Push bolt **(C)** through sled, a second washer **(H)** and secure with nut **(F)**. Hand tighten only!
- 3.4 Repeat on opposite side.
- 3.5 Once all nuts and bolts are installed by hand, finish by tightening with wrenches. Tighten until snug. Do not over-tighten as you may strip the bolts!



4.0 Frame Assembly

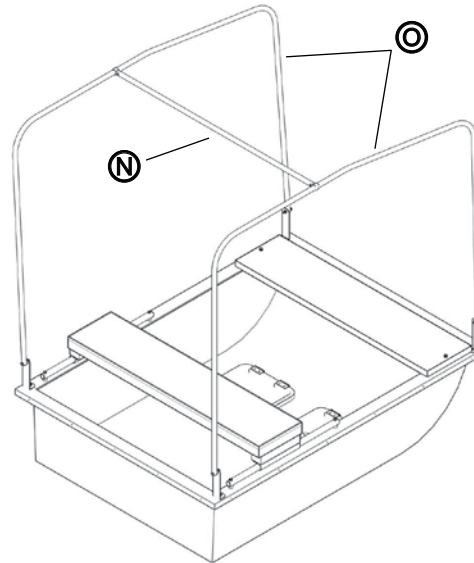
- 4.1 Begin with one Frame Bracket (E).
- 4.2 Place on sled in one corner and insert bolt (A) through Frame Bracket (E), sled, and washer (H).
- 4.3 Secure with nut (F). Hand tighten only!
- 4.4 Repeat on all corners of the sled.
- 4.5 Ensure all brackets are facing each other as shown in the image.
- 4.6 Next, align Frame Tubes (C) to the Frame Brackets (E) on the sled.
- 4.7 Starting on one side, insert bolt (B) through Frame Tube (C), washer (I) and Frame Bracket (E).
- 4.8 Secure with nut (F). Hand tighten only!
- 4.9 Repeat on opposite side.
- 4.10 Once all nuts and bolts are installed by hand, finish by tightening with wrenches. Tighten until snug. Do not over-tighten as you may strip the bolts!



5.0 Installing Shelter Cover

- 5.1 Begin by setting up shelter frame with Support Rod (N).
- 5.2 Place rod between both Frame Tubes (O) and snap into place.
- 5.3 Unfold shelter cover and place on top of shelter frame as shown in image.
- 5.4 Unroll trim (L) and place around the outside of the sled. If the trim is stiff, use a hair dryer to soften the trim to make it easier to work.
- 5.5 Starting at one corner of the sled near the Frame Bracket, push the trim over the edge of the cover and onto the edge of the sled.
- 5.6 Pull the shelter cover tight while pushing the trim onto the sled. If necessary, a rubber mallet can be used to assist in installing the trim.
- 5.7 Once trim is installed completely around the shelter, excess trim may be cut off using scissors.
- 5.8 Using a 1/8" drill bit and electric drill, drill holes through trim and sled about 12" apart starting at the corner near one Frame Bracket.
- 5.9 Secure the trim using screws (J). Hand tighten only!
- 5.10 Remove paper from windows and dispose of properly.

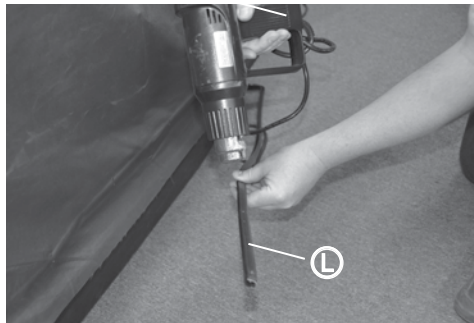
5.2



5.3



5.4



5.5



5.6



5.9



6.0 Take Down Instructions

- 6.1 While outside the shelter, pull Support Rod from the center and place in the bottom of the sled.
- 6.2 Push frame in toward the sled until both frame poles lie flat against sled.
- 6.3 Reverse steps to setup shelter.



You are now ready to go ice fishing in your new Eagle Claw Shappell Bay Runner (BR1000) Sled Based Shelter!

For assembly assistance, please visit our YouTube channel <https://www.youtube.com/EagleClawFishing> or call our Warranty Department @ 720.941.8718



© 2016 Wright & McGill Co.
4245 E. 46th Ave., Denver, CO 80216
720.941.8700 Phone • 303.321.4750 Fax

EAGLECLAW.COM

KEEPAMERICAFISHING™