

EAGLE CLAW[®] SHAPPELL[®]

BAY RUNNER II

BR2000 Shelter Assembly Instructions

Flammability and Carbon Monoxide Warning and Maintenance

WARNING: KEEP ALL FLAME AND HEAT SOURCES AWAY FROM THIS TENT FABRIC. This tent meets the flammability requirements of CPAI-84. The fabric may burn if left in continuous contact with any flame source. The application of any foreign substance to the tent fabric may render the flame resistant properties ineffective.

CARBON MONOXIDE POISONING HAZARD:

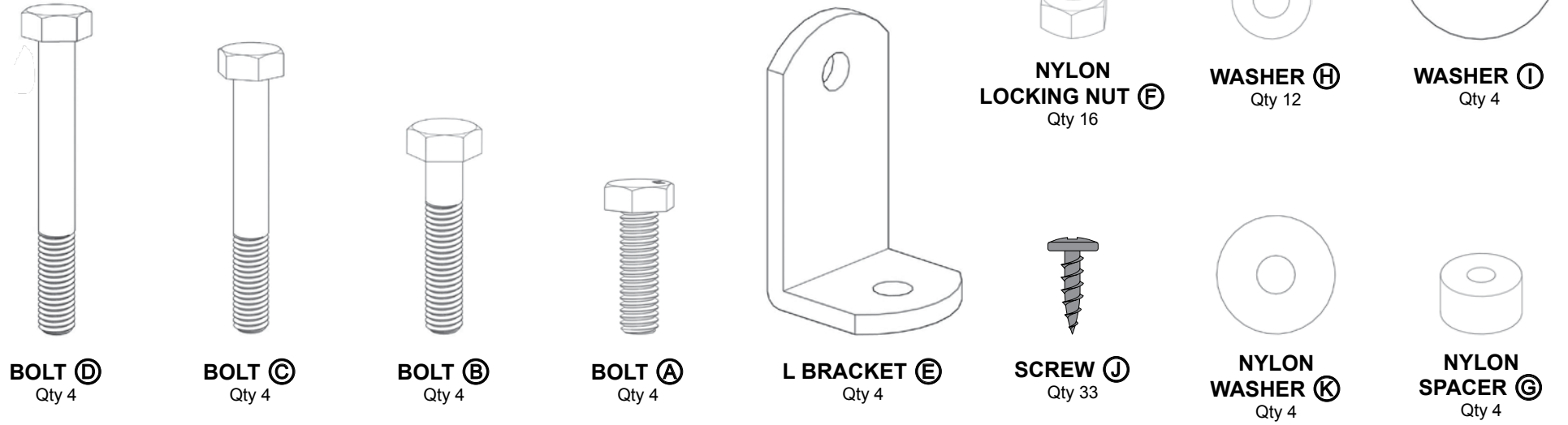
This shelter is extremely air tight and must be ventilated if using an oxygen consuming heat source. Side windows or auto-vents, depending on the shelter model, provide ventilation. **DO NOT PACK SNOW AROUND SHELTER** or in any way prevent fresh air from entering shelter. Failure to properly ventilate shelter could create a serious health hazard or death due to carbon monoxide poisoning.

MAINTENANCE: After each use, set up shelter until fabric is completely dry. Never leave shelter folded with a wet cover.

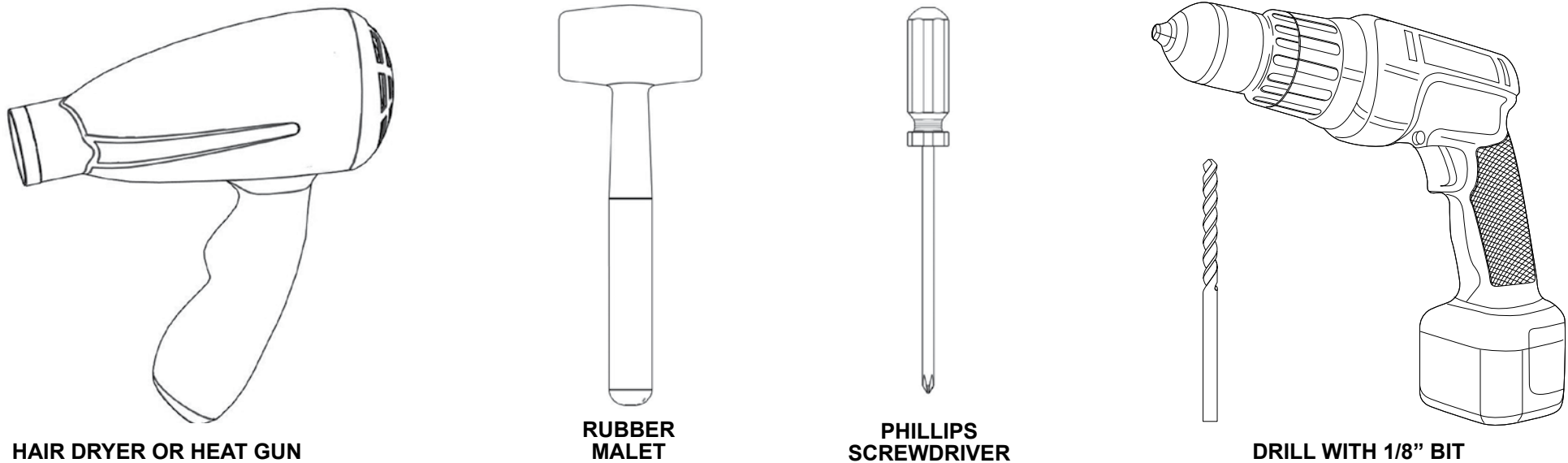
LOT #: _____

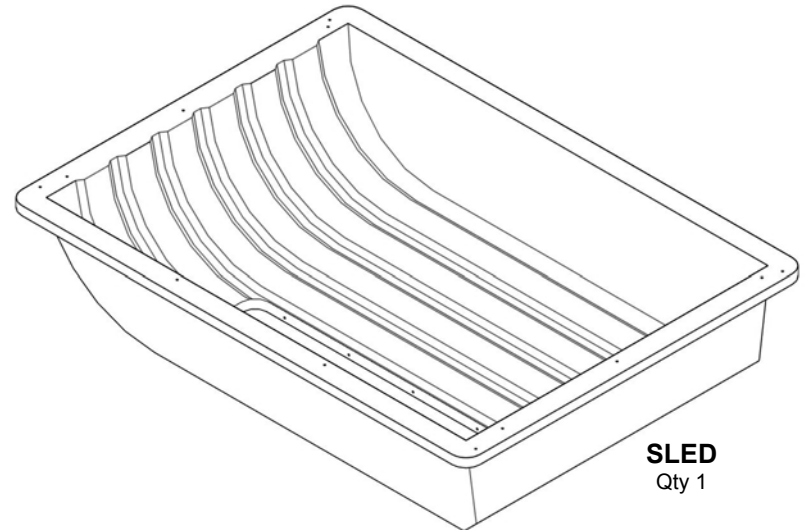
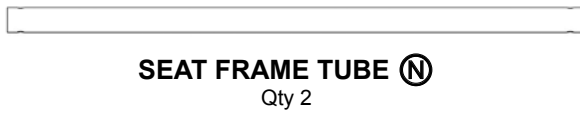
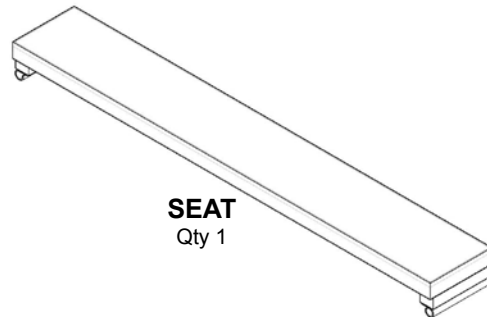
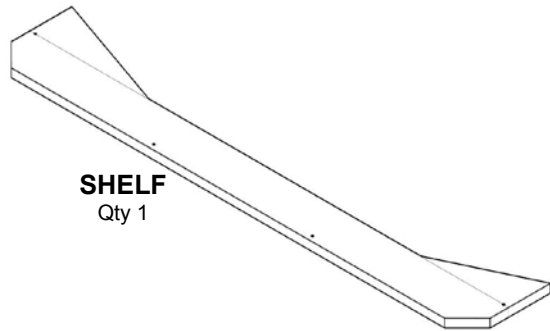
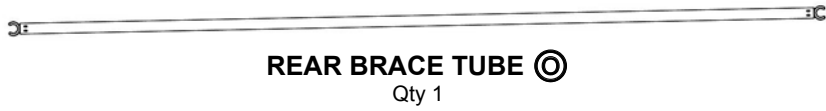
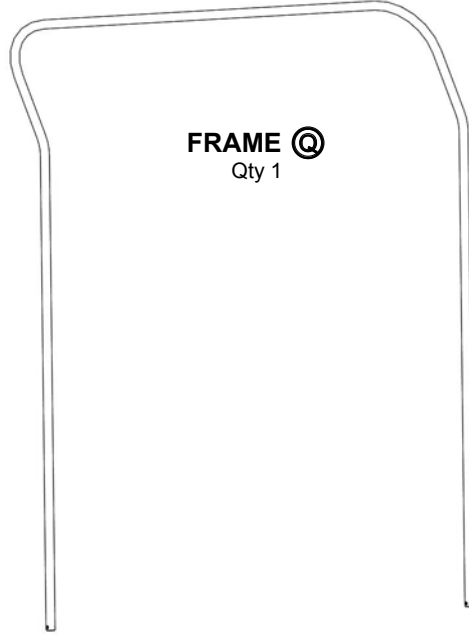
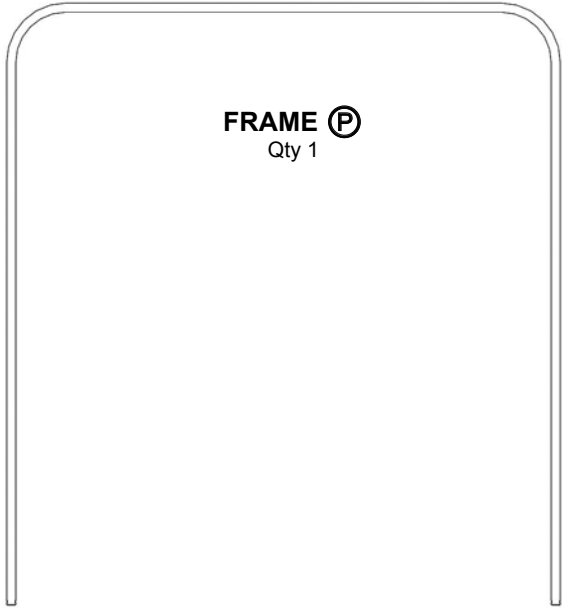


Parts (shown full size on this page)



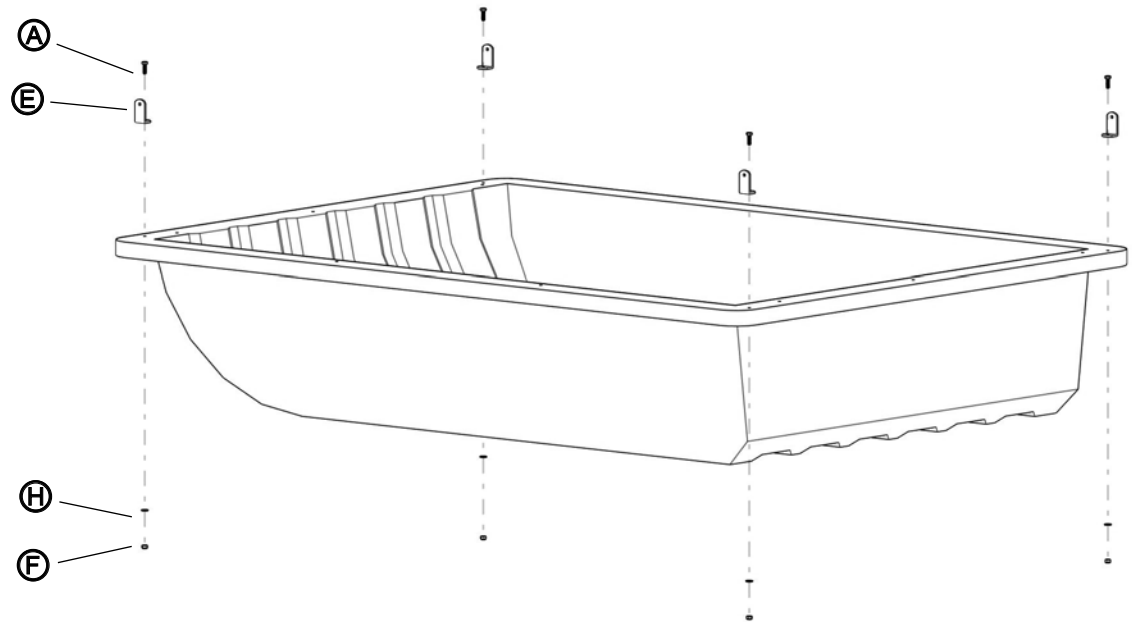
Required Tools (not included)





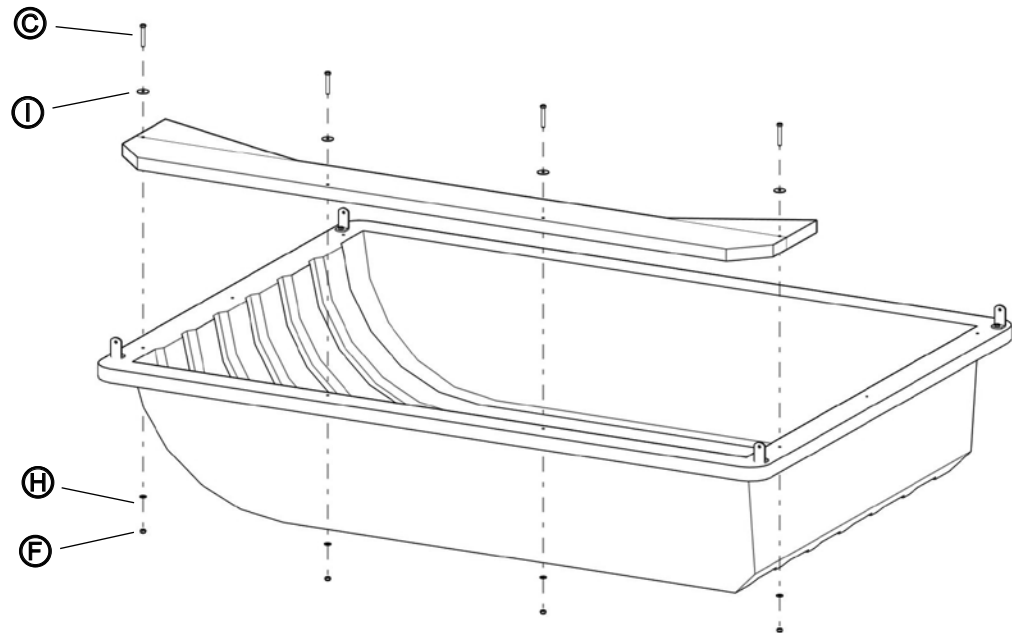
1.0 Gathering All Parts and Beginning Assembly

- 1.1 Begin by removing items from the box.
- 1.2 Separate sled, seat, parts bag, framing and cover.
- 1.3 Remove all parts from the parts bag and organize by letter (as shown on page 2).
- 1.4 Align frame brackets (E) onto the four corner holes in the sled.
- 1.5 Starting on one corner, install bolt (A) through frame bracket (E), the hole in the sled, washer (H) and secure with nut (F). Hand tighten only!
- 1.6 Repeat on the other three corners. Ensure brackets face each other as shown in image.
- 1.7 Once all nuts and bolts are installed by hand, finish by tightening with wrenches. Tighten until snug. Do not over-tighten as you may strip the bolts!



2.0 Electronics Shelf Assembly

- 3.1 Place electronic shelf on the sled above the fishing hole.
- 3.2 Insert bolt (C) through washer (I) and into electronic shelf.
- 3.3 Push bolt (C) through sled, washer (H) and secure with nut (F). Hand tighten only!
- 3.4 Repeat on remaining three holes.
- 3.5 Once all nuts and bolts are installed by hand, finish by tightening with wrenches. Tighten until snug. Do not over-tighten as you may strip the bolts!



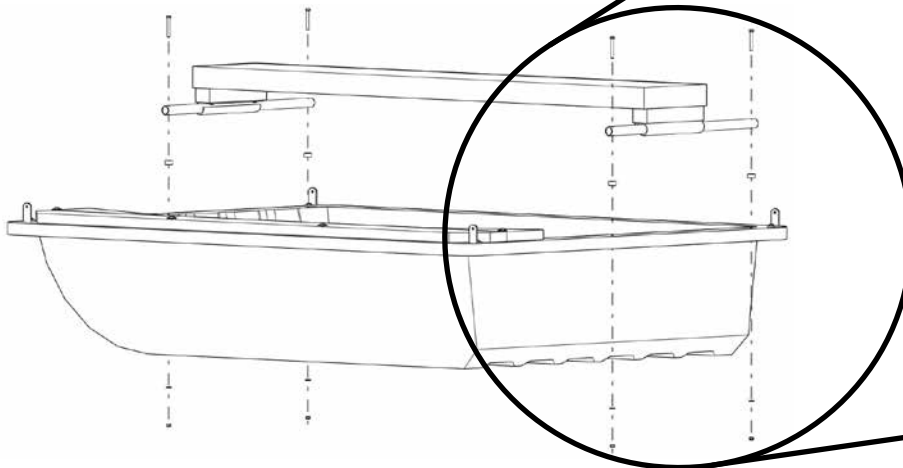
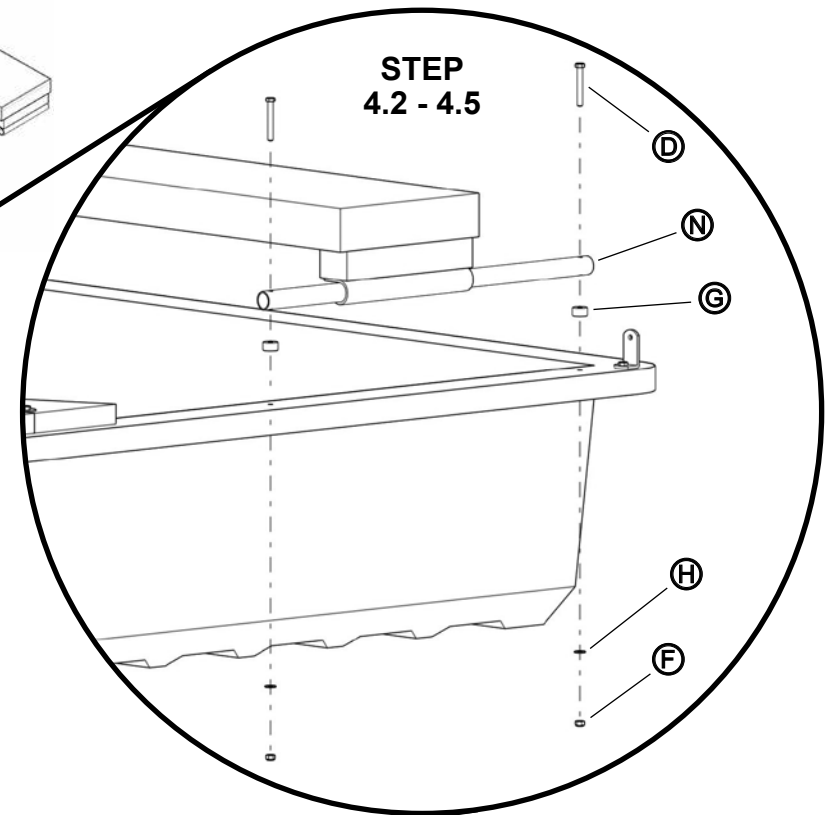
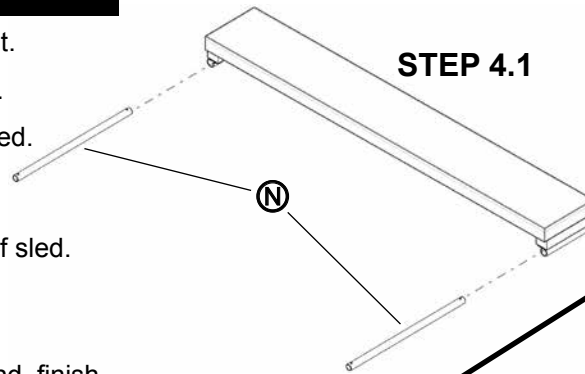
3.0 Rope Installation

- 3.1 Install sled rope (K) through holes at front of sled. Tie a knot in each end of the rope to secure to sled.



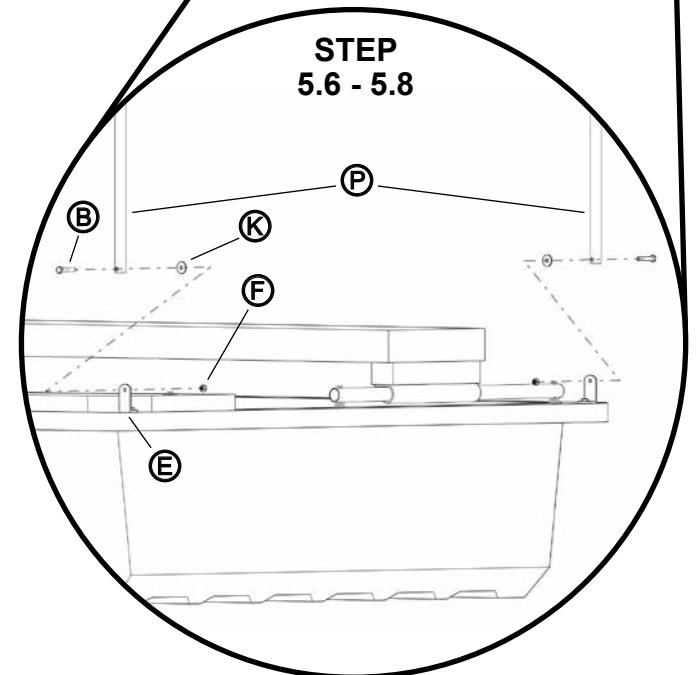
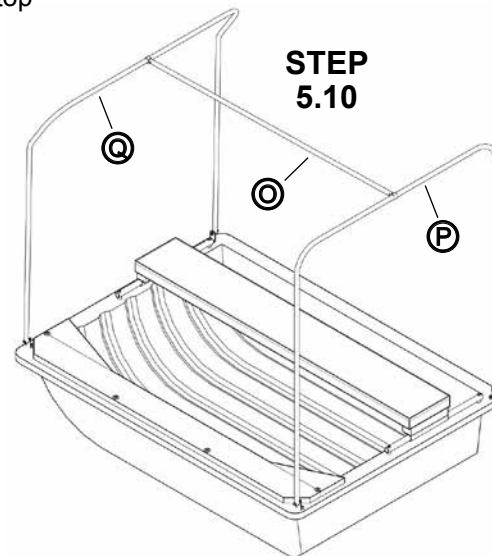
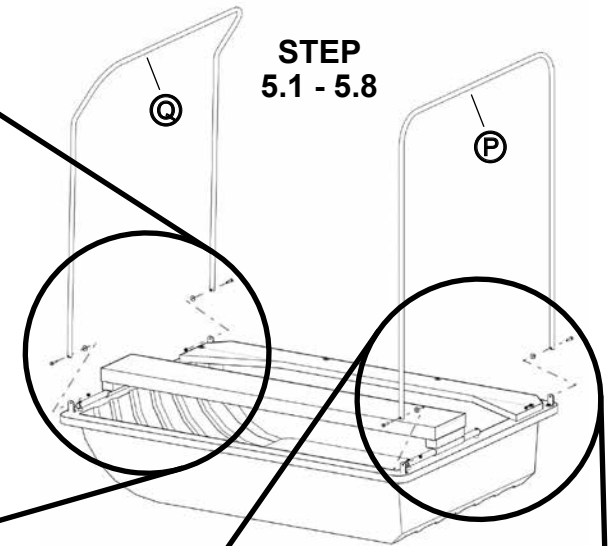
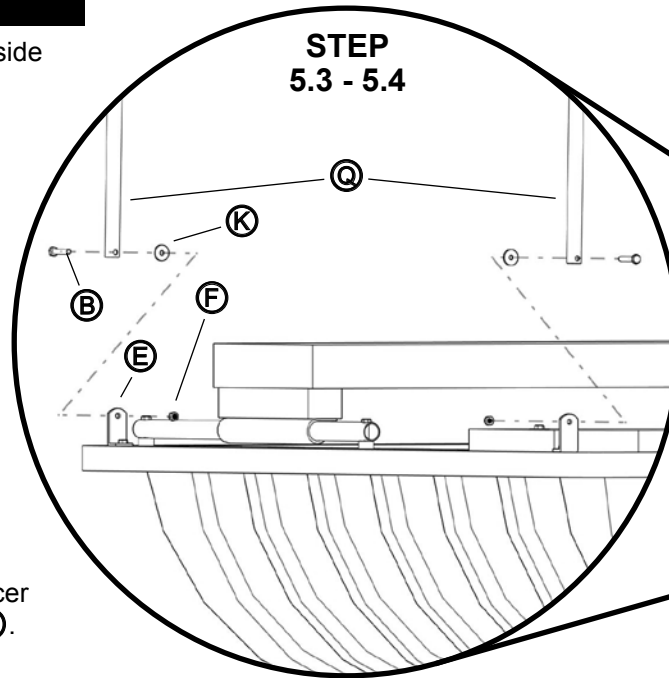
4.0 Seat Assembly

- 4.1 Slide seat rails (N) through brackets in seat.
- 4.2 Place seat with seat rails (N) onto the sled.
- 4.3 Align holes in seat rails (N) with holes in sled.
- 4.4 Insert bolts (D) through seat rail (N), through nylon spacers (G), sled, washers (H) and secure with nuts (F) on one side of sled. Hand tighten only!
- 4.5 Repeat on opposite side.
- 4.6 Once all nuts and bolts are installed by hand, finish by tightening with wrenches. Tighten until snug. Do not over-tighten as you may strip the bolts!



5.0 Frame Assembly

- 5.1 Begin with Frame **Q** and install on the rope side of the sled.
- 5.2 Lay frame **Q** on the ground with open ends facing the sled.
- 5.3 Install bolt **B** through hole in frame **Q**, spacer **K**, frame bracket **E** and secure with nut **F**. Hand tighten only!
- 5.4 Repeat on opposite side.
- 5.5 Once all nuts and bolts are installed by hand, finish by tightening with wrenches. Tighten until snug. Do not over-tighten as you may strip the bolts!
- 5.6 Next, lay frame **P** on the ground on the opposite side from frame **Q**.
- 5.7 Install bolt **B** through hole in frame **P**, spacer **K**, frame bracket **E** and secure with nut **F**. Hand tighten only!
- 5.8 Repeat on opposite side.
- 5.9 Once all nuts and bolts are installed by hand, finish by tightening with wrenches. Tighten until snug. Do not over-tighten as you may strip the bolts!
- 5.10 Install frame support rod **C** by snapping into top center of frame **Q** and **P** using C-clip ends.



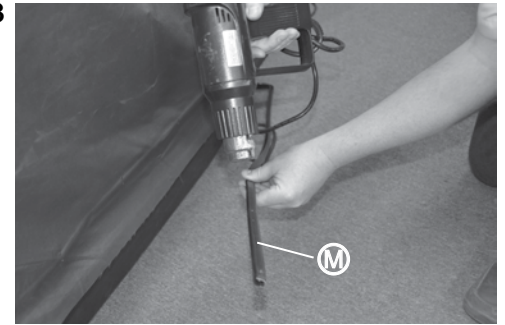
6.0 Installing Shelter Cover

- 6.1 Unfold shelter cover and place on top of shelter frame.
- 6.2 Pull cover tight over the frame.
- 6.3 Unroll trim **(M)** and place around the outside of the sled. If the trim is stiff, use a hair dryer to soften the trim to make it easier to work.
- 6.4 Starting on side of the sled near the center, push the trim over the edge of the cover and onto the edge of the sled.
- 6.5 Pull the shelter cover tight while pushing the trim onto the sled. If necessary, a rubber mallet can be used to assist in installing the trim.
- 6.6 Once trim is installed completely around the shelter, excess trim may be cut off using scissors.
- 6.7 Using a 1/8" drill bit and electric drill, drill holes through trim and sled about 12" apart starting at the corner near one Frame Bracket.
- 6.8 Secure the trim using screws **(J)**. Hand tighten only!
- 6.9 Remove paper from windows and dispose of properly.

6.1



6.3



6.4



6.5



6.8



7.0 Take Down Instructions

- 7.1 While outside the shelter, pull Support Rod from the center and place in the bottom of the sled.
- 7.2 Push frame in toward the sled until both frame poles lie flat against sled
- 7.3 Reverse steps to setup shelter



You are now ready to go ice fishing in your new Eagle Claw Shappell Bay Runner II (BR2000) Sled Based Shelter!

For assembly assistance, please visit our YouTube channel <https://www.youtube.com/EagleClawFishing> or call our Warranty Department @ 720.941.8718



© 2016 Wright & McGill Co.
4245 E. 46th Ave., Denver, CO 80216
720.941.8700 Phone • 303.321.4750 Fax

EAGLECLAW.COM

KEEPAMERICAFISHING™