

## REPLACEMENT PARTS

To order parts, please give Part No., Description and Qty needed.

### EAGLE CLAW FISHING TACKLE

ATTN: Shappell Parts Dept.  
4245 E. 46th Ave., Denver, CO 80216

(720) 941-8723

**MODEL DX3000** (47" x 70" Floor)

#### Part No. Description

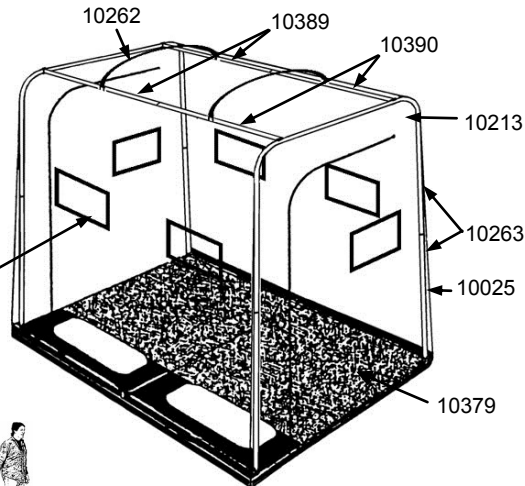
10213	Fabric Cover
10263	Frame Assembly
10025	Floor Pole (only)
10389	Roof Tube (plain end)
10390	Roof Tube (formed end)
10392	Elastic Frame Cord
10379	Carpeting
10262	Roof Bow
10328	9" x 16" Window

#### Accessories

IA2	Ice Anchor
SK3000	Ski System



\* Shown with Optional Ski System.  
Accessories not included.



**NOTE:** Small holes, tears and cuts in cover can be repaired with black duct tape applied to coated side of fabric.

### CONSUMER WARRANTY

Eagle Claw Shappell® warrants its products against defects in material and workmanship for one (1) YEAR from date of purchase. We will provide FREE repair or replacement, in whole or in part, at our option, for any product, found in our opinion to be defective. If return is required, freight must be prepaid. This warranty does not cover freight damage, ordinary wear and tear, abuse, misuse or altered product.

**WINDOWS ARE NOT GUARANTEED AT TEMPERATURES BELOW  
-15 DEGREES FAHRENHEIT.**

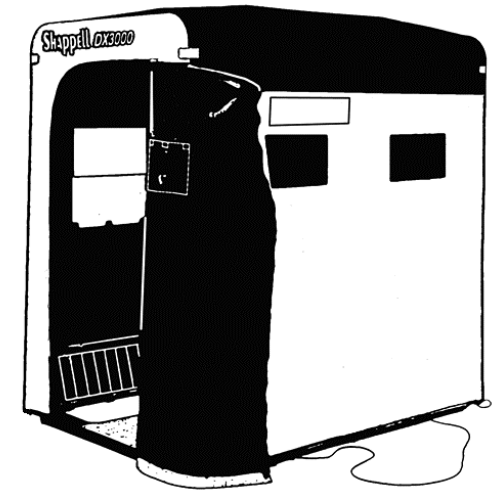
For warranty claim, send letter indicating product and explanation of defect plus dated proof of purchase to Eagle Claw Fishing Tackle, ATTN: Warranty Dept., 4245 E. 46th Ave., Denver, CO 80216.

REV 0716

LOT #: \_\_\_\_\_

EAGLE CLAW  
**Shappell**  
DX3000

## PORTABLE ICE FISHING SHELTER



### IMPORTANT SAFETY INFORMATION



**WARNING: KEEP ALL FLAME AND HEAT SOURCES AWAY FROM THIS TENT FABRIC.** This tent meets the flammability requirements of CPAI-84. The fabric may burn if left in continuous contact with any flame source. The application of any foreign substance to the tent fabric may render the flame resistant properties ineffective.



**CARBON MONOXIDE POISONING HAZARD:** This shelter is nearly air tight and must be ventilated if using an oxygen consuming heat source. An extra zipper pull at the top of each door provides ventilation and can also be used to form a window for viewing. **DO NOT PACK SNOW AROUND SHELTER** or in any way prevent fresh air from entering shelter. **Failure to ventilate shelter could create a serious health hazard or death.**

Towing of shelter with a motorized vehicle is not recommended.

Window can not be made to withstand temperatures below -15° F. (see warranty)

**PREVENT DAMAGE TO HINGE JOINT:** Always set shelter on a level flat surface.

**MAINTENANCE:** After each use, set up shelter until fabric is completely dry. **Never leave shelter folded closed with a wet cover.**

**NOTICE:** It is normal for fabric to have some pinholes. This does not affect water repellency.

**READ SETUP & TAKEDOWN INSTRUCTIONS BEFORE USING SHELTER**

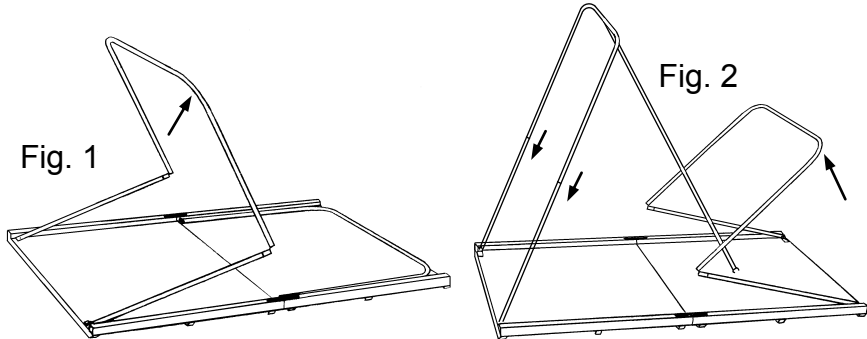
## SET UP INSTRUCTIONS

1) Open floor on a flat, level surface, with a door end facing the wind. **Damage to Hinge Joint may occur if Floor is not evenly supported.**

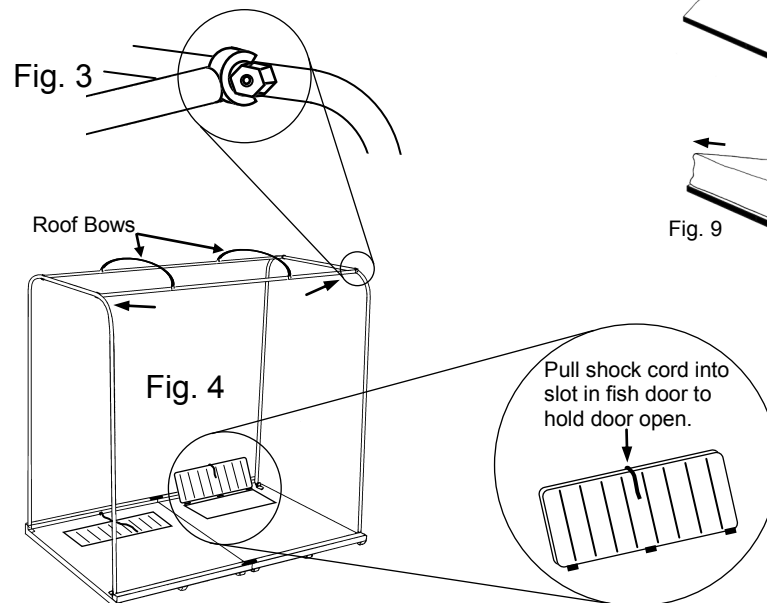
2) Assemble Roof Tube sections.



3) Fig. 1, Raise one U Shaped Frame. Keep Frame about 24" away from Corners of Fabric Top and Slip ends of U Frame over Crimped ends of Floor Poles...Shock Cord will pull Frame together. Push Assembled Frame into Corners of Fabric Top and adjust Seam in Fabric so that it follows the Curve of the Frame. Snap end of a Roof Tube Assembly to U Frame and Support Frame as shown in Fig. 2.

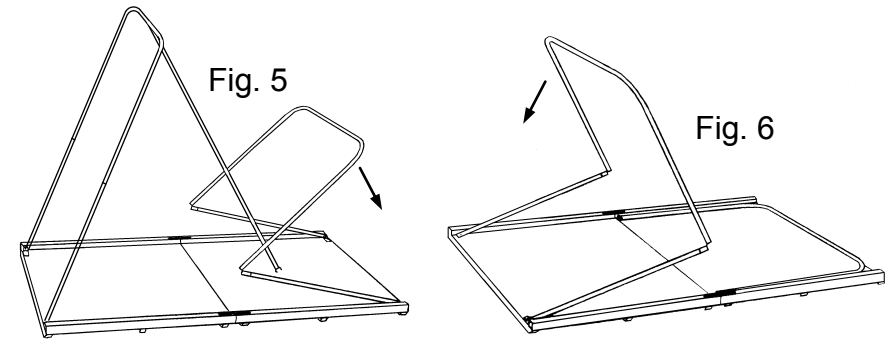


4) Fig. 2, Raise second U Frame, again keeping Frame about 24" away from Corners of Fabric Top. Assemble Frame and push into Corners of Fabric Top and adjust Seam in Fabric to follow Curve of the Frame. Clip end of Roof Tube Assembly to U Frame and slide next to inside edge of nuts as shown in Fig. 3 & 4. Clip second Roof Tube Assembly into place next to Nuts. With both Roof Tubes next to inside edge of Nuts...Install Roof Bows, Fig. 4.

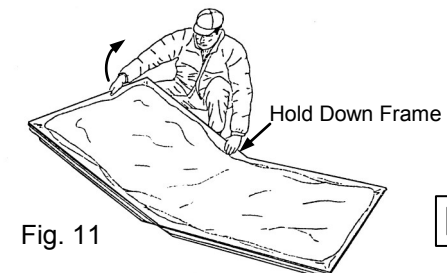
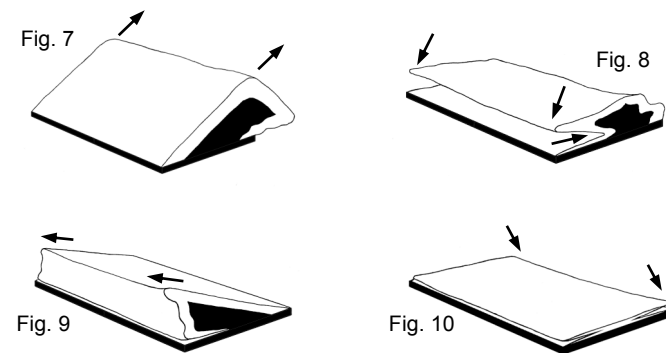


## TAKE DOWN INSTRUCTIONS

1) Fig. 5, Remove Roof Tubes from one U Frame and use one Roof Tube to Support other U Frame as shown. Pull U Frame away from Fabric Corners, then pull apart and Fold Frame to Floor while keeping Fabric away from Frame. **Do Not Wrap Fabric Around Frame.** NOTE: U Frame should lay inside of the Floor Poles, not on top of them. Repeat for other U Frame, Fig 6.



2) Fold Tent as shown in Fig. 7,8,9,10 and11.



**DX3000**